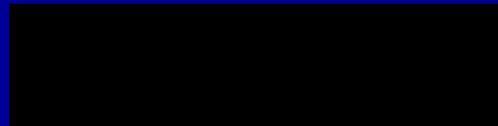


# GALLANTWAVE@scale GALLANTWAVE @ volume



Derived From: NSA/CSSM 1-52  
Dated: 20070108  
Declassify On: 20351201

# Requirements

## § @Scale

- Deploy more widely
- Leverage peering with partner

## § @Volume

- Increased system size: 10G -> 40G -> 100G
- Increased target volumes: CORNERKICK ++



# @Scale

## Need

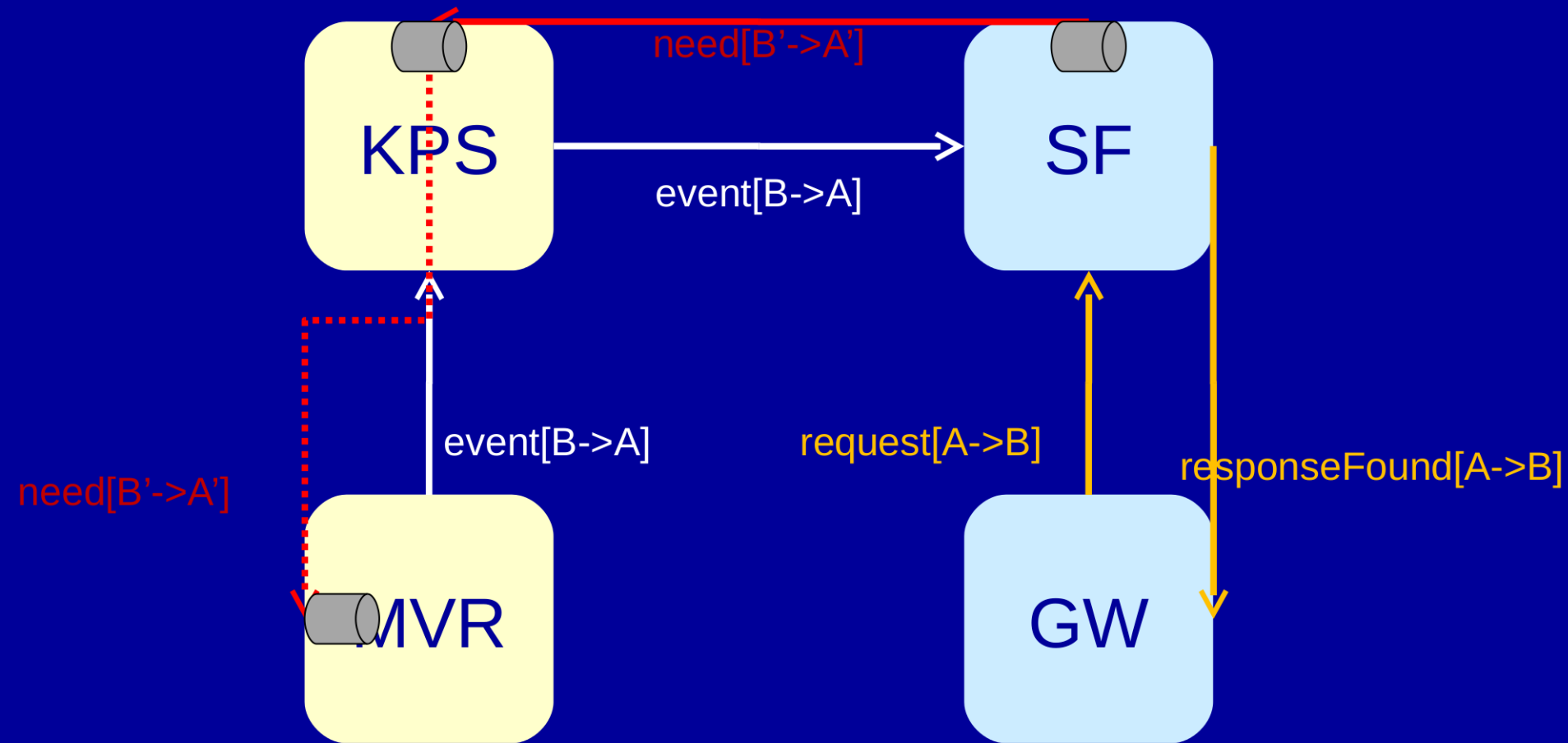
- § Peer to forward “ ‘missing’ attack-events to LONGHAUL”, to LONGHAUL, so LONGHAUL can use them to complete single-sided processing.
- § LONGHAUL to reciprocate.

## Approach

- § LONGHAUL to become aware of which ‘Events’ are not pairing local to agency and to request peer to send (copy) of such events to LONGHAUL
- § Minimise bandwidth required to communicate requests
- § Peering is a back-end (KPS <-> LONGHAUL)
- § Peers process independently



# Single-sided A->B using peering



# Filtered pairing

